

CPP IEEE Newsletter

Cal Poly Pomona IEEE Student Branch/Section
(<http://www.calpolyieeclub.com>)

Fall Quarter 2005

Message From the Editor

Hello everyone and welcome to the Cal Poly Pomona IEEE Student Branch/Section Newsletter. Every quarter a newsletter will be published to inform the students about past and upcoming events by the Cal Poly Pomona IEEE Student Branch/Section. I hope you will find this newsletter informative and enjoyable.

Mark Dimalanta
Newsletter Editor, CPP IEEE Student Branch/Section

INSIDE THIS ISSUE:

p1.	Message From the Editor
p1.	New IEEE Website
p1.	First General Meeting
p2.	Engineering Club Welcome Fair
p2.	PSpice Workshop
p3.	IEEE to Visit CES in January
p3.	Calendar of Upcoming Events
p3.	2005-2006 IEEE Officers

New IEEE Website October, 2005

Our webmasters, Lee Nguyen and Daniel Ko, have designed a brand new website for IEEE. This site contains various sources of information such as a calendar of events, a picture gallery, a profile page of every IEEE officer, a forum, and links to other sites. Additionally, there is a new feature where a new Member of the Week will be presented every week on the front page. There is also another link, IEEE Gear, where students can purchase t-shirts and other memorabilia. While many parts of this website are still under construction, you can still visit it at: www.calpolyieeclub.com. Don't forget to register for the forum, it's free and you can connect with many IEEE officers and members.

First General Meeting October 6, 2005

The first IEEE general meeting was held in Building 9, room 405 and was quite an event. The room was overflowing with interested students wanting to learn more about IEEE. Several boxes of pizza and soda were served while the officers introduced themselves and started talking about details of the club. Various topics were covered, such as the advantages of joining IEEE and the exciting events scheduled in the future such as bowling nights, and the exciting trip to the Consumer Electronics Show (CES) in Las Vegas in early January. Dr. Progrid even talked to the students about the various activities IEEE is responsible for, including the IEEE Region 6 Southern Area Student Paper Contest, where the winners can win cash prizes. Many brochures and business cards were handed out, and a huge mailing list was formed to help contact the students about upcoming events and other meetings in the future.



(Front page layout of the new website)



(Eager students attending the first general meeting)

Engineering Club Welcome Fair

October 13, 2005



(Students waiting in line to check-in)

The Engineering Club Welcome Fair was held on both floors of Building 17 and was packed with students from all over campus interested in the different engineering clubs offered on campus. This was a great way for IEEE to personally introduce and answer any questions the students might have. Students conversed with club members, collected flyers, brochures, and business cards while eating free sandwiches and drinks. IEEE was also involved with serving drinks at this event.

Kris Cercena, a senior majoring in electrical engineering, stated, "I really enjoyed my time here. It was a chance to meet the officers in person and to get more information about the clubs." In fact, Mr. Cercena was so motivated that he told me that he just recently became a member for IEEE.

This event was a great success, and our goal of informing students about IEEE was accomplished.



(Diane San Miguel, an officer for IEEE, explains to another student about the reasons why she should join IEEE)

PSpice Workshop

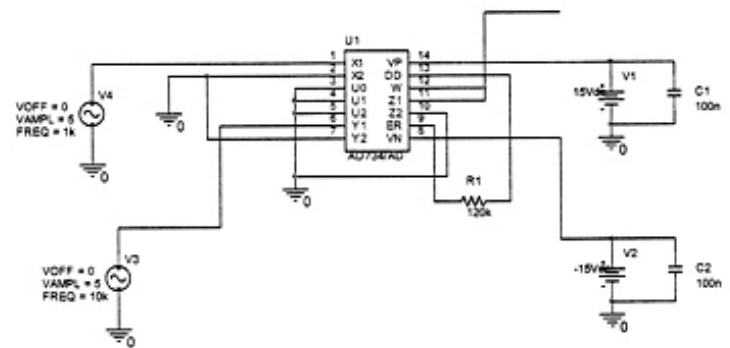
October 20, 2005

Every year, IEEE plans a workshop to inform students about the uses and importance of PSpice. This year, the members of IEEE have tried something a little bit different. Previous workshops in the past have taught the basics such as connecting wires and placing resistors on simple circuits. However, workshop this year was taught at a more intermediate level. We were fortunate enough to have Dr. Kang guide the students through more advanced circuits such as a D Flip-Flop, analog multiplier (DSB-SC modulator), a BASK modulator, a BPSK modulator, a voltage controlled oscillator (VCO), etc.



(Dr. Kang teaches students how to design a BASK modulator)

Additionally, students were shown how to analyze various time simulations of the circuits, as well as troubleshooting when certain problems arose. Dr. Kang was also nice enough to give each student a copy of his notes showing the various circuits and time diagrams that were discussed.



(PSpice design of an analog multiplier (DSB-SC modulator))

IEEE to Visit CES in January

January 5-8, 2006

This is the highly anticipated trip that everyone has been talking about. The International Consumer Electronics Show (CES) is held every year in Las Vegas, Nevada and is the largest annual tradeshow in America. It will be held from Thursday, January 5th to Sunday, January 8th from various times. Every officer in IEEE seems to be ecstatic about this event.

One of the officers for IEEE, Daniel Ko, was lucky enough to attend CES earlier this year. "There was a lot of cool stuff to see, they had the latest technology. Bill Gates was there too. You get to meet a lot of people working in the industry."



(Photo Taken by: Michael Kanellos)

Trust me, you will not want to miss this event. There were more than 130,000 attendees at CES earlier this year, and the event in 2006 will have thousands of visitors from all over the world. All you have to do to attend is simply register for CES, since the event is free. The website to register is located at: www.cesweb.org. Hope to see you there!

The Institute of Electrical and Electronics Engineers



www.calpolyieeclub.com

UPCOMING EVENTS:

- ❑ Veterans Day ----- Nov. 11th, 2005
University Closed
- ❑ BBQ ----- Nov. 15th, 2005
Hot dogs, chips, and drinks will be served
11AM to 2PM in the Quad
- ❑ Thanksgiving ----- Nov. 24th, 2005
University Closed
- ❑ Finals Week ----- Dec. 5th to 9th, 2005
- ❑ Cabin Trip ----- Dec. 9th to 11th, 2005
This will be held at Big Bear Mountain
- ❑ Christmas----- Dec. 25th, 2005
- ❑ Winter Quarter Begins ----- Jan. 3rd, 2006

2005-2006 IEEE OFFICERS

Name:	Position:
Jim Betz	President
Joel Montiel	Vice President
Mike Borroto	Treasurer
Nhan Pham	Secretary
Morteza Azarmnia	Engineering Council Rep.
Manuel Carrasco Jason Lin	Program Chair
Nestor Loresca Jr. Ayyaz Chaudhry	Publicity
Alan Soe	Corporate Relations
Mayank Saxena	Sport Coordinator
Ryan Troesh	Historian
Mark Dimalanta	Newsletter
Lee Nguyen Daniel Ko	Webmaster
Anthony Alvarez Wayne Chi Juan Cervantes	Fundraising
Diane San Miguel Ishvinder Kholi	Merchandise & Parts