



**California State Polytechnic University, Pomona
DEGREE REQUIREMENT EVALUATION**

ELM Satisfied ___ Yes ___ No
 EPT Satisfied ___ Yes ___ No
 GWT Satisfied ___ Yes ___ No

MAJOR **MANUFACTURING ENGINEERING (5450)**

OPTION/EMPHASIS _____

UNITS REQUIRED **202**

NAME _____
 LAST FIRST MI

STUDENT I.D. # _____

TERM ADMITTED _____ YEAR: **2004-2005**

EVALUATOR _____

DATE _____

UPDATES _____

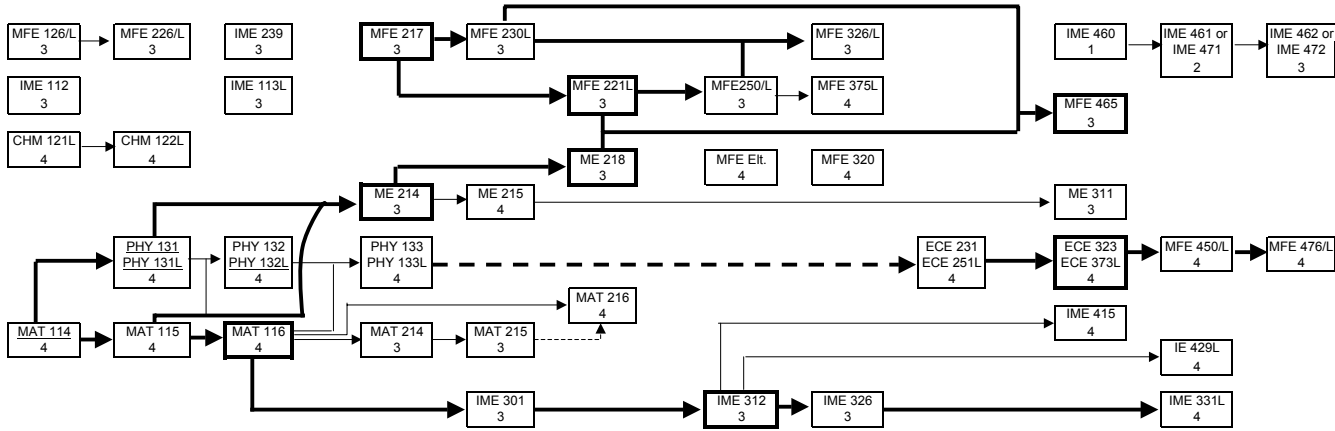
CORE COURSES	Units	SUPPORT COURSES	Units	IGE	GENERAL EDUCATION. Students may fulfill these requirements at Cal Poly Pomona with the General Education (GE) or the Interdisciplinary General Education (IGE) Programs. Select courses from approved lists shown in the Schedule of Classes unless specified.	
<p><i>Students in this major are expected to <u>maintain</u> a GPA of at least 2.00 in all core courses.</i></p> <p>Ind & Mfg Engr Fund IME 112 3</p> <p>Ind & Mfg Engr Comp IME 113/L 3</p> <p>Ind Costs & Cont IME 239 3</p> <p>Appl of Statistics IME 301 3</p> <p>Prod Plng & Cont IME 326 3</p> <p>Fac Plan Lay Des IME 331/L 4</p> <p>Qual Cont Stat Methods IME 415/L 4</p> <p>Sr Project IME 471 or IME 461 2</p> <p>Sr Project IME 472 or IME 462 3</p> <p>Engr Graphics I MFE 126/L 3</p> <p>Mfg Processes - Mtl's, Meth, Tract MFE 217/L 3</p> <p>Mfg Processes I - Mtl Removal MFE 221/L 3</p> <p>Engr Graphics II MFE 226/L 3</p> <p>Mfg Processes II - Form, Cast, Join MFE 230/L 3</p> <p>Meas & Meth MFE 320/L 4</p> <p>Prod Engr MFE 326/L 4</p> <p>Principles of Numerical Control MFE 250 3</p> <p>CAD/CAM MFE 375/L 4</p> <p>Intro CIM MFE 450/L 4</p> <p>Metal Work Theory & Application MFE 465 3</p> <p>Adv CAM Systems MFE 476/L 4</p> <p>Indus Sys Simulation IE 429/L 4</p> <p>Mfg Electives** 3</p> <p>**Select with advisor approval</p>		<p>Gen Chem CHM 121/L 4</p> <p>Gen Chem CHM 122/L 4</p> <p>Elem Elec Engr ECE 231/251L 4</p> <p>Instru Sys ECE 323/373L 4</p> <p>Engr Prob & Stat IME 312 3</p> <p>Undergrad Seminar IME 460 1</p> <p>An Geom/Calculus II MAT 115 4</p> <p>An Geom/Calculus III MAT 116 4</p> <p>Calc of Sev Var I MAT 214 3</p> <p>Calc of Sev Var II MAT 215 3</p> <p>Diff Equations MAT 216 4</p> <p>Vector Statics ME 214 3</p> <p>Vector Dynamics ME 215 4</p> <p>Strength Matls ME 218 3</p> <p>Fluid Mechanics ME 311 3</p> <p>General Physics PHY 132 3</p> <p>General Physics PHY 133/L 4</p>		<p>IGE 120 4</p> <p>IGE 121 4</p> <p>IGE 122 4</p> <p>IGE 220 4</p> <p>IGE 221 4</p> <p>IGE 222 4</p> <p>IGE 223 4</p> <p>IGE 224 4</p> <p>Area A3 4</p> <p>COM 204 4</p> <p>EC 201/202 4</p> <p>Area B 16</p> <p>Area C4 4</p> <p>Area D4 4</p>	<p>GENERAL EDUCATION COURSES</p> <p>Area A Communication and Critical Thinking–12 units</p> <p>1 ENG 104 4</p> <p>2 Oral Communication 4</p> <p>3 Critical Thinking 4</p> <p>Area B Math and Natural Sciences–16 units</p> <p>1 <u>MAT 114</u> 4</p> <p>2 <u>PHY 131/131L, 132L</u> 5</p> <p>3 Biological Science 3</p> <p>4 Science and Technology Synthesis* 4</p> <p>Area C Humanities– 16 units</p> <p>1 Fine/Performing Arts 4</p> <p>2 Philosophy and Civilization 4</p> <p>3 Literature and Foreign Language 4</p> <p>4 EGR 402 4</p> <p>Area D Social Sciences– 20 units</p> <p>1a PLS 201 4</p> <p>1b HST 202 4</p> <p>2 EC 201 or 202 4</p> <p>3 ELECTIVE 4</p> <p>4 EGR 403 4</p> <p>Area E Lifelong Understanding and Self-Development–4 units 4</p> <p><u>Underlined courses</u> satisfy both major and general requirements.</p> <p>*Department Approval Required</p>	
	UNITS REQUIRED:	76	UNITS REQUIRED:	58	UNITS REQUIRED:	68

SUMMARY OF ADVANCED STANDING CREDIT:
 Earned Hours _____
 G.P.A. Hours _____
 QualityPoints _____
 G.P.A. _____

NOT MORE THAN 105 UNITS FROM A COMMUNITY COLLEGE NOR MORE THAN 36 UNITS OF EXTENSION WORK MAY BE APPLIED TOWARD A BACHELOR'S DEGREE.
 A 2.0 CUMULATIVE GPA IS REQUIRED IN CORE COURSES INCLUDING OPTION COURSES IN ORDER TO RECEIVE A DEGREE IN THIS MAJOR.

Fall Winter Spring Fall Winter Spring Fall Winter Spring Fall Winter Spring

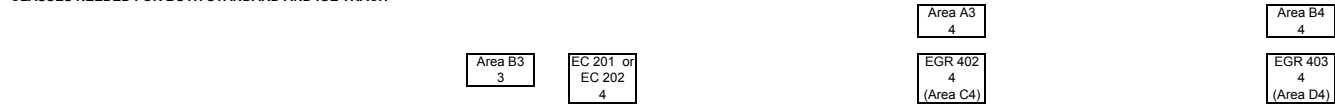
MAJOR AND SUPPORT TRACK



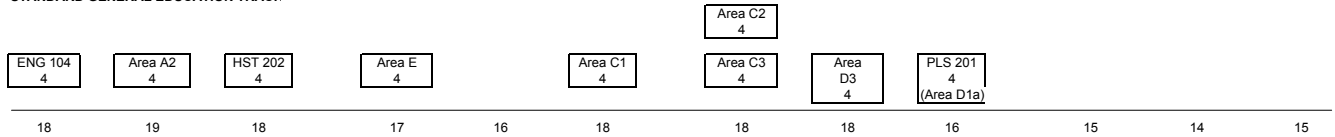
GENERAL EDUCATION IGE TRACK



CLASSES NEEDED FOR BOTH STANDARD AND IGE TRACK



STANDARD GENERAL EDUCATION TRACK



Notes:

Important Deadlines:

- GWT Must be taken by
- Evaluation must be done by
- Apply to graduation by

To optimize time here select the classes with bold squares as soon as possible and follow the bold paths.

Try to balance workload to the level of units you can handle per quarter, and in the proper mix of difficulty for you.

In general, try to take only one MATH or ME course at a time

THE COURSES LISTED ABOVE INDICATE INTENT OF OFFERING QUARTER, ACTUAL OFFERINGS MAY VARY

Total Units: 202

Students in the IGE general education program take all classes above this line-----

Students in the Standard general education program take all classes below this line-----

Arrows indicate prerequisites, dashed lines indicate recommended sequences

It is recommended that students take companion activities for ME 214 and ME 215

Note that most MFE courses and many IME courses are offered only once a year

Underlined courses satisfy both GE and Major requirement