



**California State Polytechnic University, Pomona  
DEGREE REQUIREMENT EVALUATION**

ELM Satisfied \_\_\_ Yes \_\_\_ No  
 EPT Satisfied \_\_\_ Yes \_\_\_ No  
 GWT Satisfied \_\_\_ Yes \_\_\_ No

MAJOR ENGINEERING TECHNOLOGY (5260)  
General (Mechanical/Manufacturing)

NAME \_\_\_\_\_  
 LAST FIRST MI

TERM ADMITTED \_\_\_\_\_ YEAR: **2004-2005**

EVALUATOR \_\_\_\_\_

DATE \_\_\_\_\_

UPDATES \_\_\_\_\_

UNITS REQUIRED 202

STUDENT I.D. # \_\_\_\_\_

CORE COURSES	Units	CORE COURSES (Cont.)	Units	IGE	GENERAL EDUCATION. Students may fulfill these requirements at Cal Poly Pomona with the General Education (GE) or the Interdisciplinary General Education (IGE) Programs. Select courses from approved lists shown in the Schedule of Classes unless specified.
<i>Students in this major are expected to maintain a GPA of at least 2.00 in all core courses.</i>		<b>Emphasis Courses</b>		IGE 120 4	<b>GENERAL EDUCATION COURSES</b>
Computer Application for ET/Lab	ETT 101/L 3	Applied Dynamics	ETT 211 3	IGE 121 4	<b>Area A Communication and Critical Thinking–12 units</b>
Applied Statics	ETT 210 3	Material Science for ET	ETT 217 3	IGE 122 4	1 ENG 104 4
Applied C Programming/Lab	ETT 215/L 4	Strength of Materials/Lab	ETT 220/L 4	IGE 220 4	2 Approved A2 Elective 4
Senior Project I	ETT 461 2	Materials Joining/Lab	ETT 234/L 2	IGE 221 4	3 Approved A3 Elective 4
Senior Project II	ETT 462 2	Applied Fluid Mechanics I/Lab	ETT 310/L 4	IGE 222 4	<b>Area B Math and Natural Sciences–16 units</b>
Engineering Graphics I/Lab	MFE 126/L 3	Applied Thermodynamics	ETM 306 4	IGE 223 4	1 <u>MAT 130</u> 4
College Physics	PHY 122 3	Applied Heat Transfer	ETM 308 3	IGE 224 4	2 <u>PHY 121/121L, 122L</u> 5
College Physics/Lab	PHY 123/L 4	Applied Fluid Mechanics II	ETM 312 4	COM 216 4	3 Biological Science 3
College Chemistry/Lab	CHM 121/L 4	Instrumentation & Control/Lab	ETM 330/L 4	COM 204 4	4 Science and Technology Synthesis* 4
Technical Calculus II	MAT 131 4	IC Engines & Gas Turbines/Lab	ETM 410/L 4	EC 201/202 4	<b>Area C Humanities– 16 units</b>
Technical Calculus III	MAT 132 4	Manufacturing Processes I/Lab	MFE 221/L 3	Area B 16	1 Fine/Performing Arts 4
		Engineering Graphics II/Lab	MFE 226/L 3	Area C4 8	2 Philosophy and Civilization 4
		Manufacturing Processes II/Lab	MFE 230/L 3	Area D4 8	3 Literature and Foreign Language 4
					4 Humanities Synthesis* 4
<b>Support Courses in Major</b>					<b>Area D Social Sciences– 20 units</b>
Electrical Technology/Lab	ETT 201/L 4				1a PLS 201 4
Engineering Economics Analysis for ET	ETT 305 4				1b HST 202 4
Electronic Devices & Systems/Lab	ETE 321/L 4				2 EC 201 or 202 4
Undergraduate Seminar	ETT 460 2				3 PLS/SOC 390 4
ET ELECTIVES**	ET XXX 40				4 Social Science Synthesis* 4
					<b>Area E Lifelong Understanding and Self-Development–4 units</b>
					4 4
**May include College Alg & Trig if taken before Calculus, Consult Department Advisor					<u>Underlined courses</u> satisfy both major and general education requirements.
					*Department Approval Required
<b>UNITS REQUIRED:</b>			<b>134</b>		<b>UNITS REQUIRED: 68</b>

**SUMMARY OF ADVANCED STANDING CREDIT:**  
 Earned Hours \_\_\_\_\_  
 G.P.A. Hours \_\_\_\_\_  
 Quality Points \_\_\_\_\_  
 G.P.A. \_\_\_\_\_

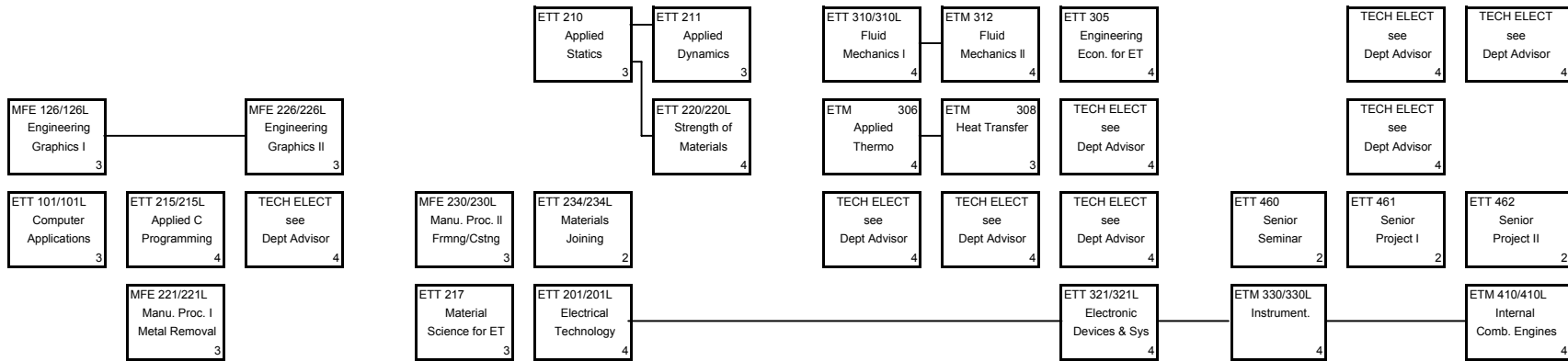
NOT MORE THAN 105 UNITS FROM A COMMUNITY COLLEGE NOR MORE THAN 36 UNITS OF EXTENSION WORK MAY BE APPLIED TOWARD A BACHELOR'S DEGREE.  
 A 2.0 CUMULATIVE GPA IS REQUIRED IN CORE COURSES INCLUDING OPTION COURSES IN ORDER TO RECEIVE A DEGREE IN THIS MAJOR.

**CALIFORNIA STATE POLYTECHNIC UNIVERSITY, POMONA**  
**ENGINEERING TECHNOLOGY (General-Mechanical/Manufacturing Emphasis)**  
**CURRICULUM FLOWSHEET**  
**2004-05**

NAME: \_\_\_\_\_

CPP Major Code: 5260

FRESHMAN			SOPHOMORE			JUNIOR			SENIOR		
FALL	WINTER	SPRING	FALL	WINTER	SPRING	FALL	WINTER	SPRING	FALL	WINTER	SPRING
Technical Elective Note 1 4	Technical Elective Note 2 4	MAT 130 Technical Calculus I Area B1 4	MAT 131 Technical Calculus II 4	MAT 132 Technical Calculus III 4	Approved Elective Area B4 4				Approved Elective Area C4 4		Approved Elective Area D4 4
	CHM 121/121L General Chemistry 4	PHY 121/121L College Physics Area B2 4	PHY 122/122L College Physics Note 3 4	PHY 123/123L College Physics 4							



Lower Division GE, not including Math and Science, see Note 4 below for alternatives

ENG 104 Fresh Engl I Area A1 4	Approved Elective Area A2 4	Approved Elective Area A3 4	PLS 201 Area D1 4	HST 202 Area D1 4	Approved Elective Area E 4	SOC/PLS 390 Area D3 4	EC201 or EC202 Area D2 4	Approved Elective Area B3 3	Approved Elective Area C1 4	Approved Elective Area C2 4	Approved Elective Area C3 4
14	19	19	18	21	15	16	15	19	14	14	18

Notes

- May include College Algebra (MAT 105 at CPP) if taken before Calculus
- May include College Trigonometry (MAT 106 at CPP) if taken before Calculus
- Lab course used to satisfy GE Area B2.
- An alternative GE pattern from that listed here, the Interdisciplinary Education Program (IGE), for partial fulfillment of GE Areas A, C and D is available for students in this major.

Although the IGE program tends to fit best for freshmen entering Cal Poly Pomona it is available to all students, see the University catalog or your advisor for more information.

Revised 3/10/2004

Total Units 202

The flowchart above attempts to show the order of courses to complete the degree Bachelor of Science in Engineering Technology in 4 years: 12 quarters not including summer quarters. The flowchart is not a schedule however and when specific courses are offered (i.e. what quarter in a given year) depends on many factors including enrollment, faculty availability, on-going curricular changes and budgetary constraints. If you have concerns about when a course is to be offered next or any other course related questions you should contact your department advisor or the ET office (909-869-2492 or etdept@csupomona.edu).