



DEGREE REQUIREMENT EVALUATION

ELM Satisfied ___ Yes ___ No
EPT Satisfied ___ Yes ___ No
GWT Satisfied ___ Yes ___ No

California State Polytechnic University, Pomona

YEAR: 1996-97

MAJOR CIVIL ENGINEERING (5253)
OPTION Surveying Engineering
UNITS REQUIRED 202

NAME LAST FIRST M.I.
STUDENT ID NO.

EVALUATOR
DATE
UPDATES

Students in this major are expected to achieve and maintain a GPA of at least 2.00 in all courses included in Column I.

GENERAL EDUCATION (68 units) Pick curriculum of study from either Interdisciplinary G.E. (Column IIIa) or Areas 1 through 5 (Column IIIb). Underlined courses satisfy both major and G.E. requirements.

Table with 4 columns: Column I, Column I (con't), Column IIIa, and Column IIIb. It lists various engineering and general education courses with their respective unit counts and requirements.

NOT MORE THAN 105 UNITS FROM A COMMUNITY COLLEGE NOR MORE THAN 36 UNITS OF EXTENSION WORK MAY BE APPLIED TOWARD A BACHELOR'S DEGREE. ALL SPEAKERS OF ENGLISH AS A SECOND LANGUAGE WHO HAVE NOT ACHIEVED THE MINIMUM EPT SCORE FOR ENGLISH 104 MUST TAKE ENGLISH 102 AND 103. A 2.0 CUMULATIVE GPA IS REQUIRED IN CORE COURSES INCLUDING OPTION COURSES IN ORDER TO RECEIVE A DEGREE IN THIS MAJOR. F-105-15 REV. 2/96

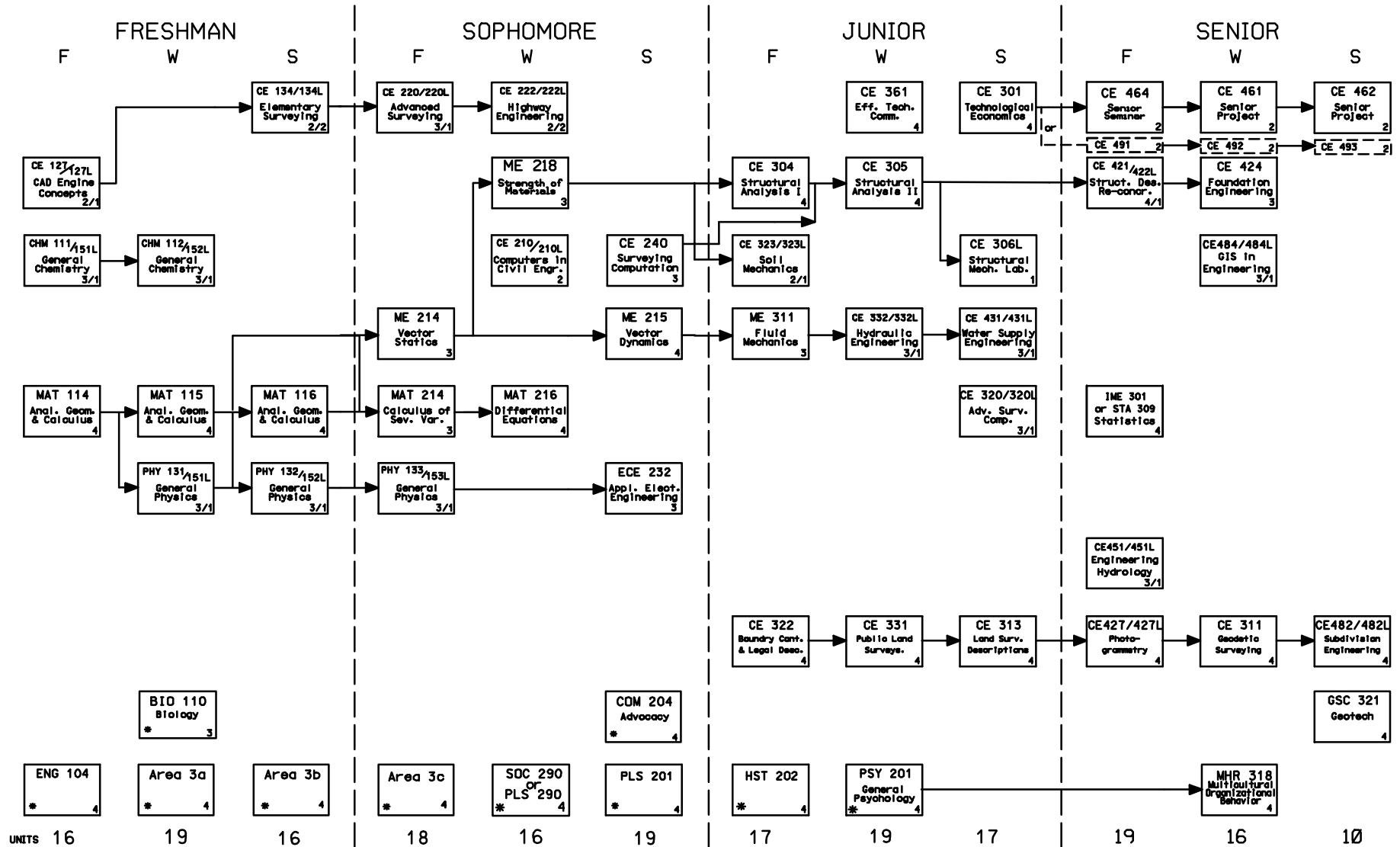
CALIFORNIA STATE POLYTECHNIC UNIVERSITY POMONA

CIVIL ENGINEERING DEPARTMENT CURRICULUM

AY 96-97

SURVEYING ENGINEERING OPTION

NAME: _____ DATE: _____



Students are responsible for prerequisites. Refer to University catalog 1996-97

* Qualified students may substitute IGE sequence for those courses with an asterisk. See catalog for details.

TOTAL = 202

Rev 11/6/95